

**Technologically,  
Advanced, Yet Economical!**



## DUAL PLATE CHECK VALVES

SERIES- 851 / 852 / 853

Size 50 mm to 900 mm

Application:

Chemical & Petro Chemical Industry | Food and  
Pharma Industries | Filtration & Solvent Extraction  
Plants | Corrosive Liquid and Gas | Sugar, Paper &  
Pulp Processing | Water & Effluent treatment plants |  
Steel & Power Plant | Air Conditioning & Refrigeration



## PTFE /TFM SEATED

Our latest addition in Dual Plate Check valve is Specialized Engineered Valve Seat in PTFE / TFM with Valve Body/Disc in all Exotic Alloys like HAESTALLOY C-22, R-55, S.S904-L, ALLOY-20, DUPLEX S.S.316/S.S.316-L. This Valve MOC is selected in consultation with the Buyer makes it a ideal Check valve for all their Corrosive and Solvent application Services where standard Elastomer/Rubber Seat, Metal to Metal Seat is not suitable.



## RUBBER LINED

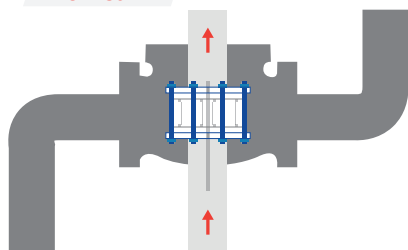
TDK offers, new economical series of Complete Rubber Lined Dual Plate Check valves. These Dual Plate Check valves are completely lined with Rubber from Inside such that entire contact part of Valve Body is Rubber Lined, Valve Disc offered in all Exotic Alloys like HAESTALLOY C-22, R-55, S.S904-L, ALLOY-20, DUPLEX S.S.316/S.S.316-L selected in consultation with the Buyer as per their specific requirement.



**Quality, At It's Best Always...!**

[tdkchemtrol.com](http://tdkchemtrol.com)

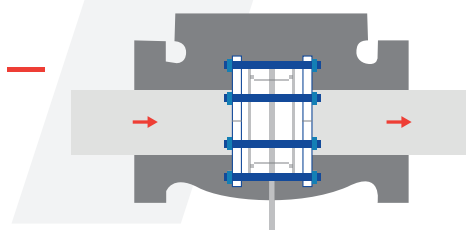
**Ease of installation Vertical**



### SALIENT FEATURES:

- Positive seating action by torsion spring
- Light weight & compact design
- Ease of installation (Horizontal/Vertical)
- Maximum opening & less pressure drop
- 100% leak proof at low pressure
- Simplified piping layout

**Ease of installation Horizontal**



**Size Range:**  
50 MM TO 900 MM

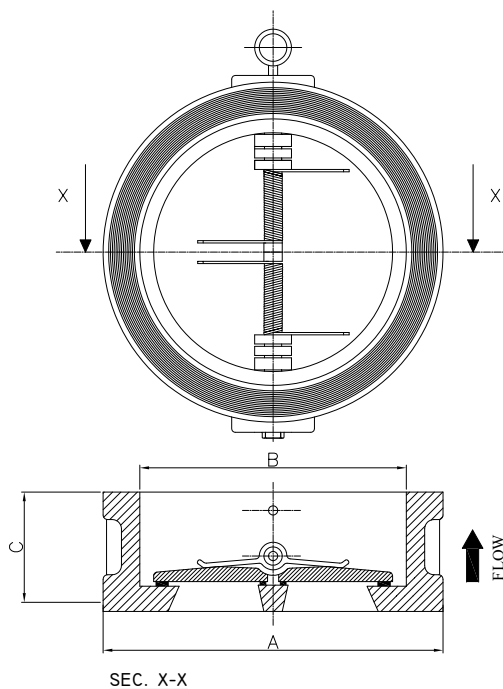
**Design/Manuf. Std:**  
API 594

**Mounting:**  
Horizontal Or Vertical

**Flange. Standard:**  
ASA 125 /150,  
300 BS-10 TABLE D / E  
DIN - ND-10, 16, 25, JIS -10 K

**Pressure Rating:**  
CLASS, 150, 300, 600, 900

**Testing:**  
API 598



Size MM	A	B	C
50	103	60	60
65	122	73	67
80	134	93	73
100	173	121	73
125	195	150	85
150	220	169	98
200	277	226	127
250	337	276	146
300	407	329	181
350	448	368	184
400	512	406	191
450	546	460	203
500	602	509	219
600	714	618	222
750	882	765	305
900	1047	914	368

Dimension 'A' Shown as per ASA 150 # Flanges

### MATERIAL OF CONSTRUCTION - OPTIONS

BODY	DISC & SHAFT	SEAT	SPRING
CAST IRON as per IS FG 220 DUCTILE IRON -	CAST IRON as per IS FG 220 DUCTILE IRON	PTFE / TFM	S.S.316
CARBON STEEL as per ASTM A 216 GR. WCB	CARBON STEEL as per ASTM A 216 GR. WCB	NITRILE RUBBER	S.S.316-L
S.S.304 /S.S.316 /316L as per ASTM A 351 CF8 CF8M/ CF3M	S.S.304 / S.S.316 /316L as per ASTM A 351 CF8 /CF8M/ CF3M	EPDM RUBBER	INCONEL
DUPLEX /SUPER DUPLEX - as per ASTM A 894 GR CE8MN /CE3MN	DUPLEX /SUPER DUPLEX - as per ASTM A 894 GR CE8MN /CE3MN	VITON RUBBER	S.S.904 -L
ALLOY- 20 as per ASTM A 351 CN7M	ALLOY- 20 as per ASTM A 351 CN7M	HYPLON RUBBER	ALLOY-20
S.S.904-L / R-55	S.S.904-L / R-55	NEOPRENE RUBBER	HAESTALLOY C-22
HAESTALLOY C-22 as per ASTM A 894 CX2MW	HAESTALLOY C-22 as per ASTM A 894 CX2MW	METAL TO METAL	-



tdkchemtrol.com

### TDK CHEMTROL INDIA

Unico Industrial Park, Unit No.5, Building No.3A,  
Tungareashwar Road, Off. Western Express Highway, Vasai  
East, District Palghar - 401208. Maharashtra, India  
Phone: +91 9892791579 | 7700962263 | 7700911522  
Email: info@tdkchemtrol.com

All Statements, Technical Details & Recommendations in this flyer are for General information only. Purchasers are expected to make their own Test to determine the suitability of these Products for their particular purpose. The Manufacturer is not responsible for individual system requirements. Consult TDK CHEMTROL INDIA for the specific requirements and material selection for your intended application. The right to change or modify the Product design or product without prior notice is reserved.